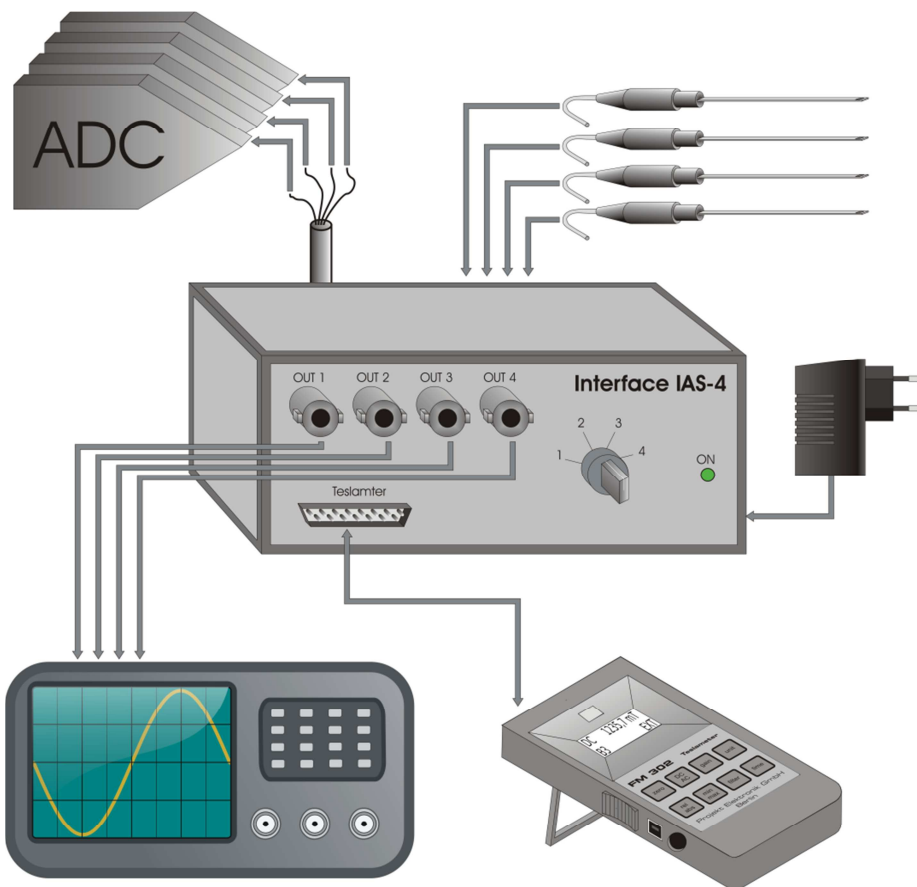
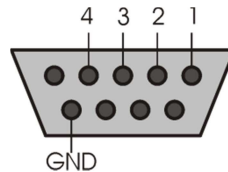


Interface IAS-4 for AS-probes



The Interface IAS-4 offers the opportunity to simultaneous drive 4 of our AS-probes. The supply of the probes is done by the IAS-4. The signals of all 4 AS-probes are available simultaneous and parallel via the BNC-connectors at the front and the 9-pole SubD female at the rear. For the assignment refer to the following drawing. Therewith the probe signals can be viewed simply by an oscilloscope or feed into a data processing equipment like a PC or an SPC.

The level of the analog output signals is given by the connected probe. It is ± 2 V for the greatest measuring range of the probe. At an AS-NTM probe for example that would be ± 2 V for ± 2 T or simply 1 V/T. To resolve more precisely the use of an added amplifier or high resolving measuring equipment is necessary.

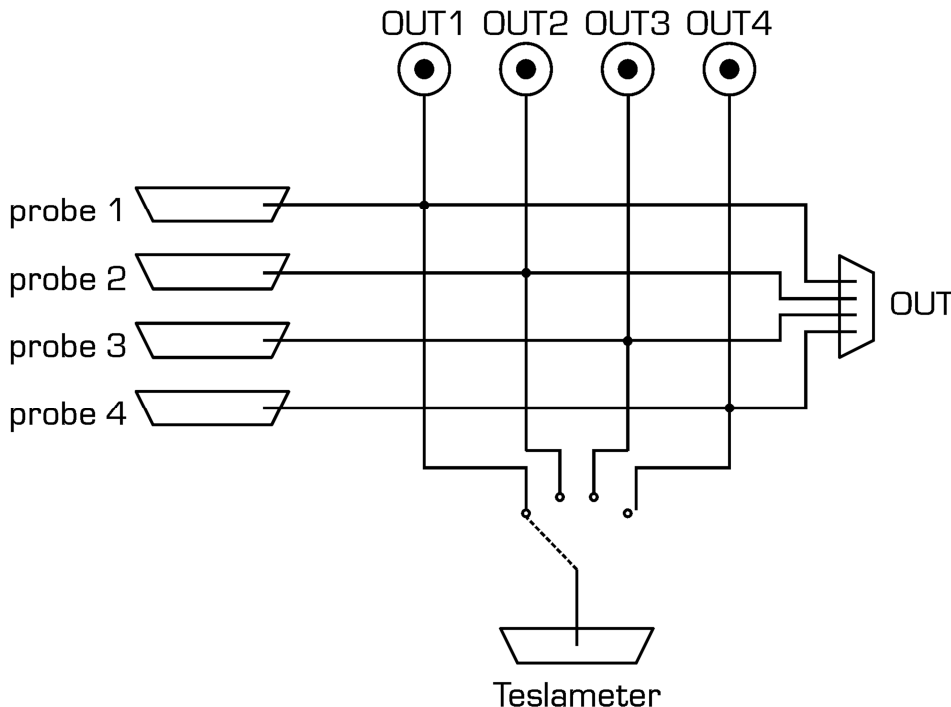


Assignment 9pol analog connector

It should be observed, that in the probe a connection between GND, plug shield, plug case and cable shield is made. At probes with brass tube, this is also connected to GND.

Furthermore the IAS-4 has an connector for an Teslameter FM 302. With the select-switch at the front of the IAS-4 one can chose which of the 4 probes is connected to this connector. Thus one can use all possibilities of the Teslameter FM 302 like amplification x10 or x100, AC and RMS measurement.

The utilization of the connector for the Teslameter FM 302 and the analog outputs can be done independent of each other.



One should be aware, that the probes and all outputs have a common ground. Especially when using the brass version of AS-probes (AS-NTM, AS-LTM) an isolation between probe and other parts of the measurement setup can be necessary.

Technical data for the Interface IAS-4:

probes input	4x 15pole SubD-female
analog outputs	4x BNC-output (1 per probe connector) 1x 9pole SubD-female (all 4 probe signals) all with common ground
connector for FM 205 or FM 302	1x 15pole SubD-male (switchable to every of the 4 probes)
output level	± 2 V for the greatest measuring range of the corresponding AS-probe
operation temperature	5 °C to +50 °C
storage temperature	-10 °C to +50 °C
max. relative humidity	70 % at +35 °C
supply	jack for 9 V mains adapter 0.1 A
size	85 mm x 241 mm x 159 mm (h x w x d)
wight	770 g (without mains adapter)

included in delivery:

Interface IAS-4
9 V mains adapter

option:

2 m connection cable for FM 302
probe extension cord up to 10 m

Application Notes

On our website (<http://www.projekt-elektronik.com/applikation.php>) under Application you can find many additional documents with information, hints and examples about the measurement of magnetic fields.

Consulting and customization

We gladly stand at your disposal for questions about measuring tasks, manufacturing of probes, changing of measurement range, bandwidth or similar via telephone or email.

Your PE - Team